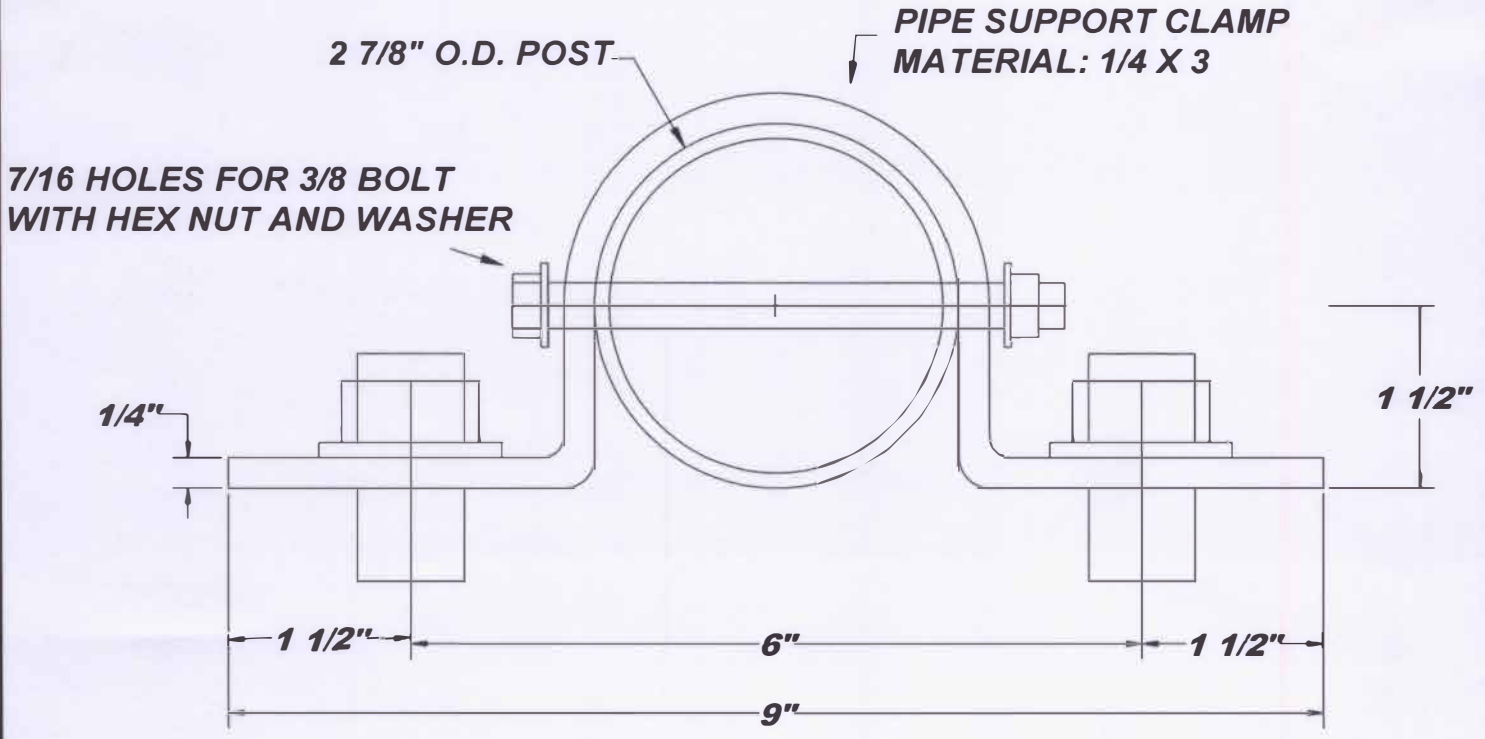
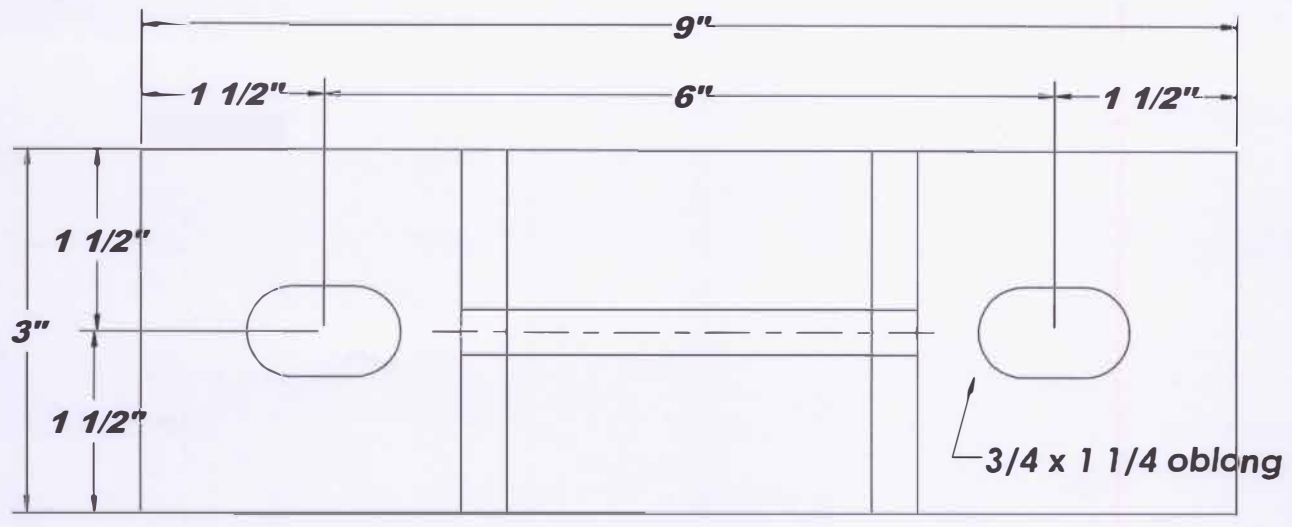


DPSB3 - 3" Domestic Pipe Support Clamps (Fits 2 7/8" OD) Specification Sheet



**2 7/8 PIPE SUPPORT CLAMP
W/ 7/16 THRU HOLES**

PART NUMBER: **DPSB3**

TOLERANCE: +/- 1/8

